

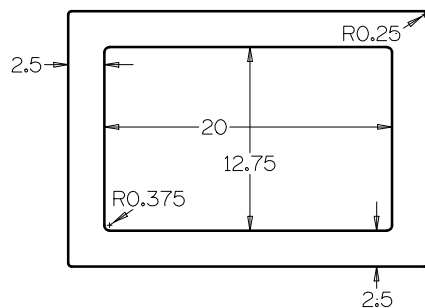
# Sokul Surfaces

## 25" Ramp Vessel

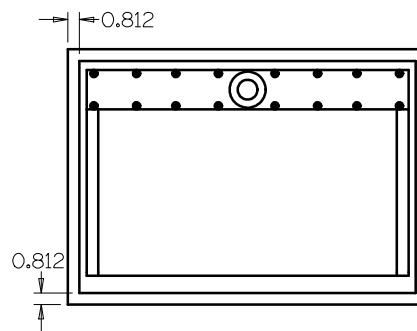
Model #: VS-RP-25183



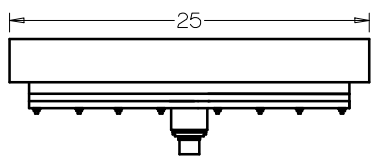
Top View



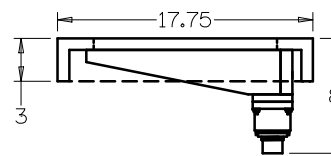
Bottom View



Back View



Side View



- Overflow/vent hole NOT included
- Chrome drain pipe included
- Requires an 11"x23.25" cutout in countertop