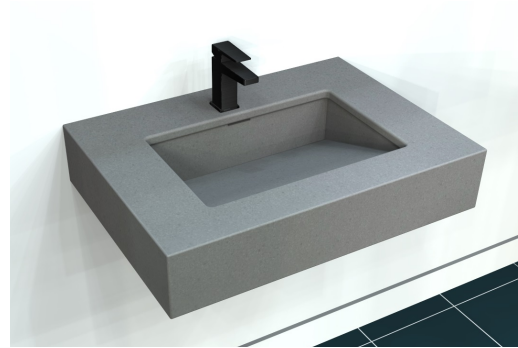


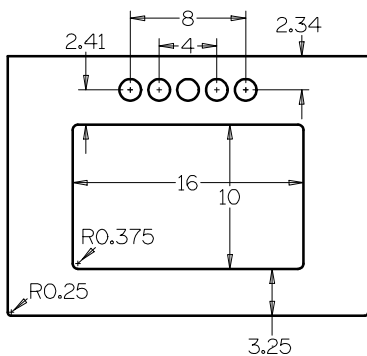
Sokul Surfaces

25"x18" Ramp Sink

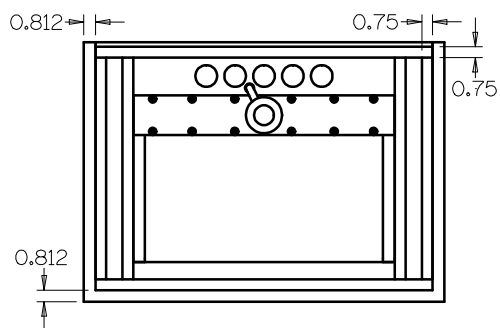
Model #: FL-RP-25185



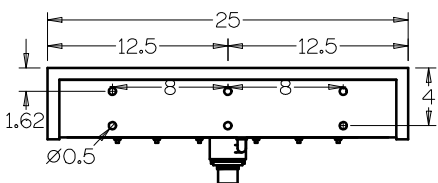
Top View



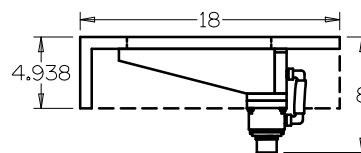
Bottom View



Back View



Side View



- Included overflow/vent hole
- Brackets built into the countertop
- Faucet holes pre-drilled
- Chrome drain pipe included
- ADA compliant